

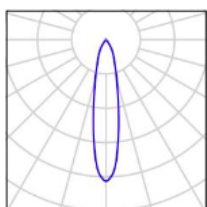
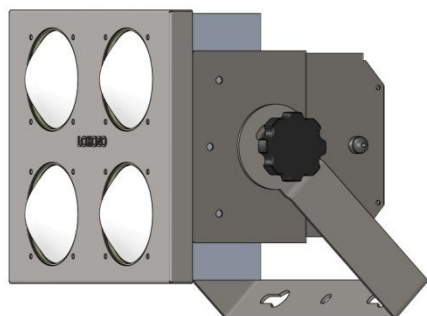
CANIS-Z-400W

LED FLOOD LIGHT

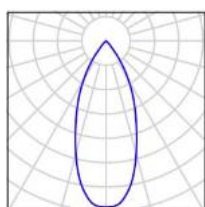
IS 10322
(Part 5/Sec 5)



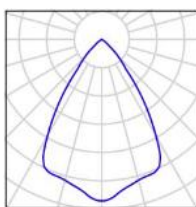
R-62001120



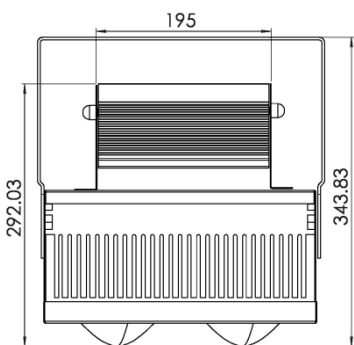
Beam Angle 20D



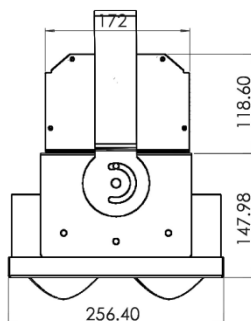
Beam Angle 30D



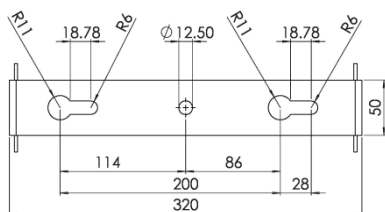
Beam Angle 45D



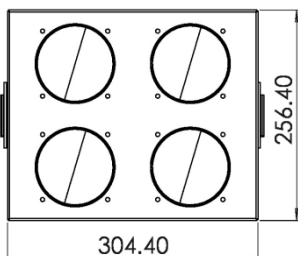
Front View



Side View



Bracket Top View



Bottom View

TECHNICAL SPECIFICATIONS

On/Off Cycles:	50000 Hrs.
Correlated Color Temperature	5500K to 6500K
Color Rendering Index	>80
Frequency (Hz)	50-60 Hz
Mains voltage (VAC)	110-270 VAC
Power	400W
Beam Angle	10°/20°/30°/45°/60°/90°
LED Efficacy	157 lm/W
IP	66
PF	>0.9
Finishing Color	Silver finish
Operating Temperature range	-10 to +40 °C
Driver Integrated (Yes/No)	Yes
Optical Material	Borosilicate
Housing	All noncorrosive hardware Pure Aluminium Body

